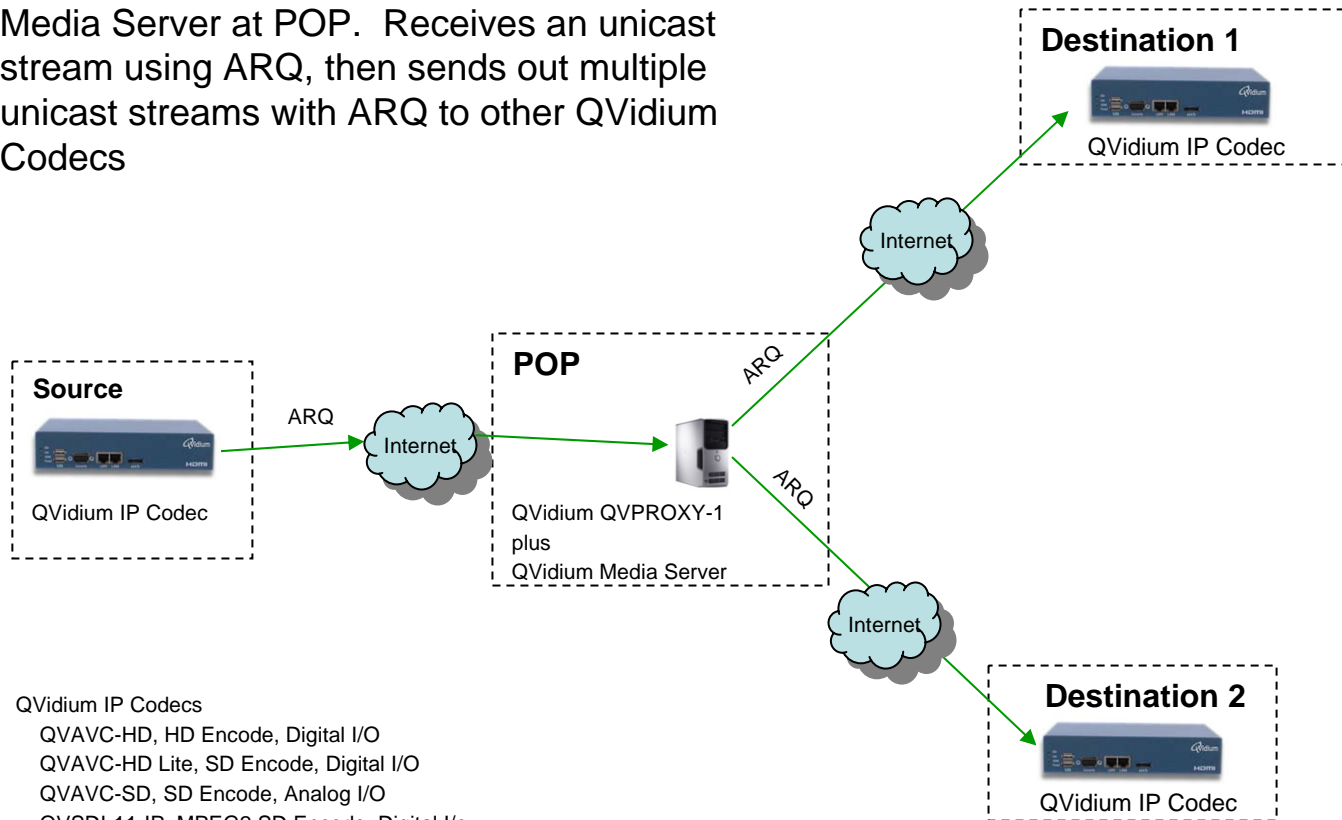


# QVidium Media Distribution Over The Internet

Co-locate QVidium QVPROXY-1 Receiver and Media Server at POP. Receives an unicast stream using ARQ, then sends out multiple unicast streams with ARQ to other QVidium Codecs



## QVidium IP Codecs

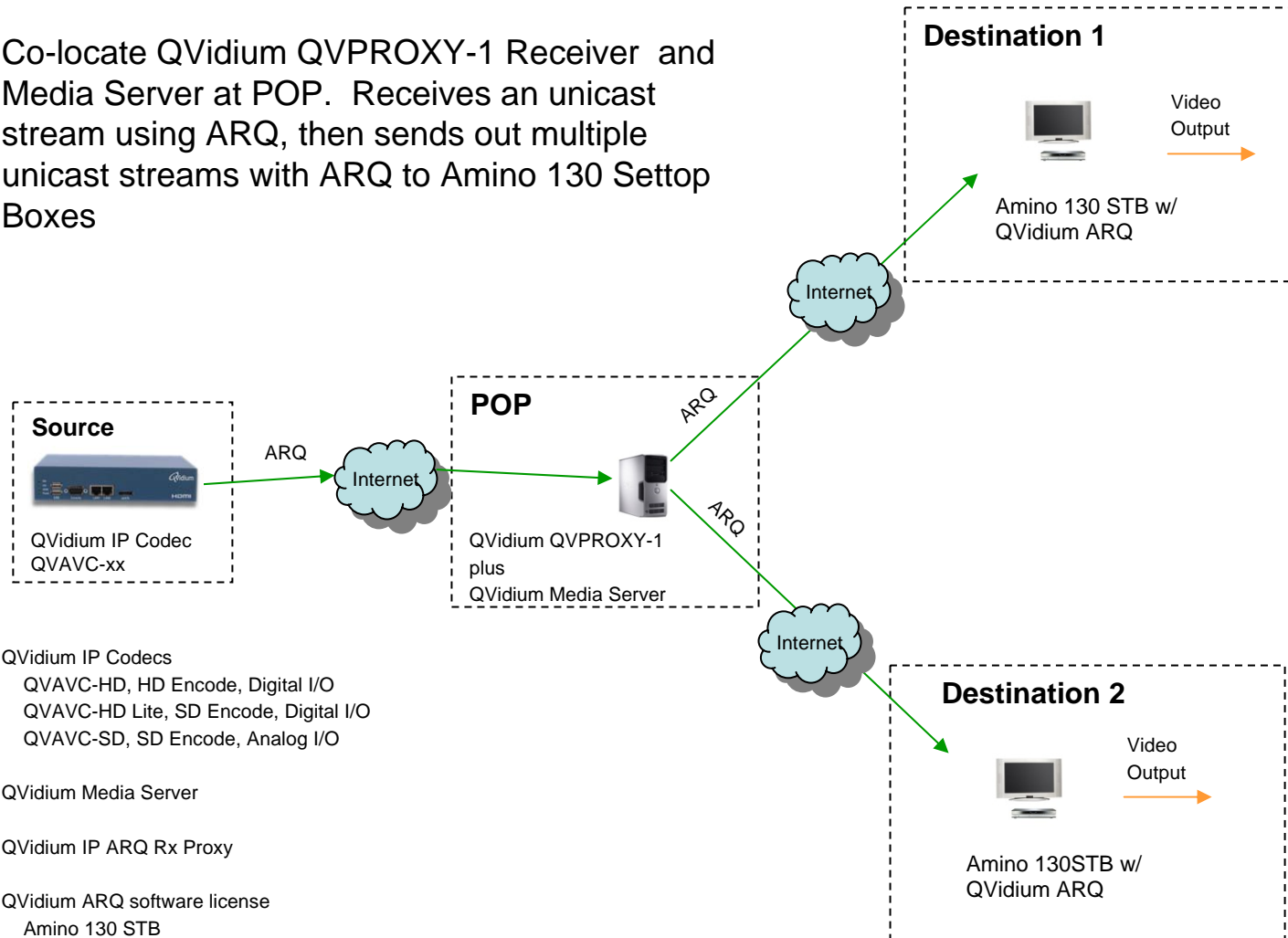
- QVAVC-HD, HD Encode, Digital I/O
- QVAVC-HD Lite, SD Encode, Digital I/O
- QVAVC-SD, SD Encode, Analog I/O
- QVSDI-11-IP, MPEG2 SD Encode, Digital I/O
- QVMP2C-1011, MPEG SD Encode, Analog I/O

QVidium Media Server

QVidium QVPROXY-1 Receiver

# QVidium IPTV Over The Internet

Co-locate QVidium QVPROXY-1 Receiver and Media Server at POP. Receives an unicast stream using ARQ, then sends out multiple unicast streams with ARQ to Amino 130 Settop Boxes



QVidium IP Codecs  
 QVAVC-HD, HD Encode, Digital I/O  
 QVAVC-HD Lite, SD Encode, Digital I/O  
 QVAVC-SD, SD Encode, Analog I/O

QVidium Media Server

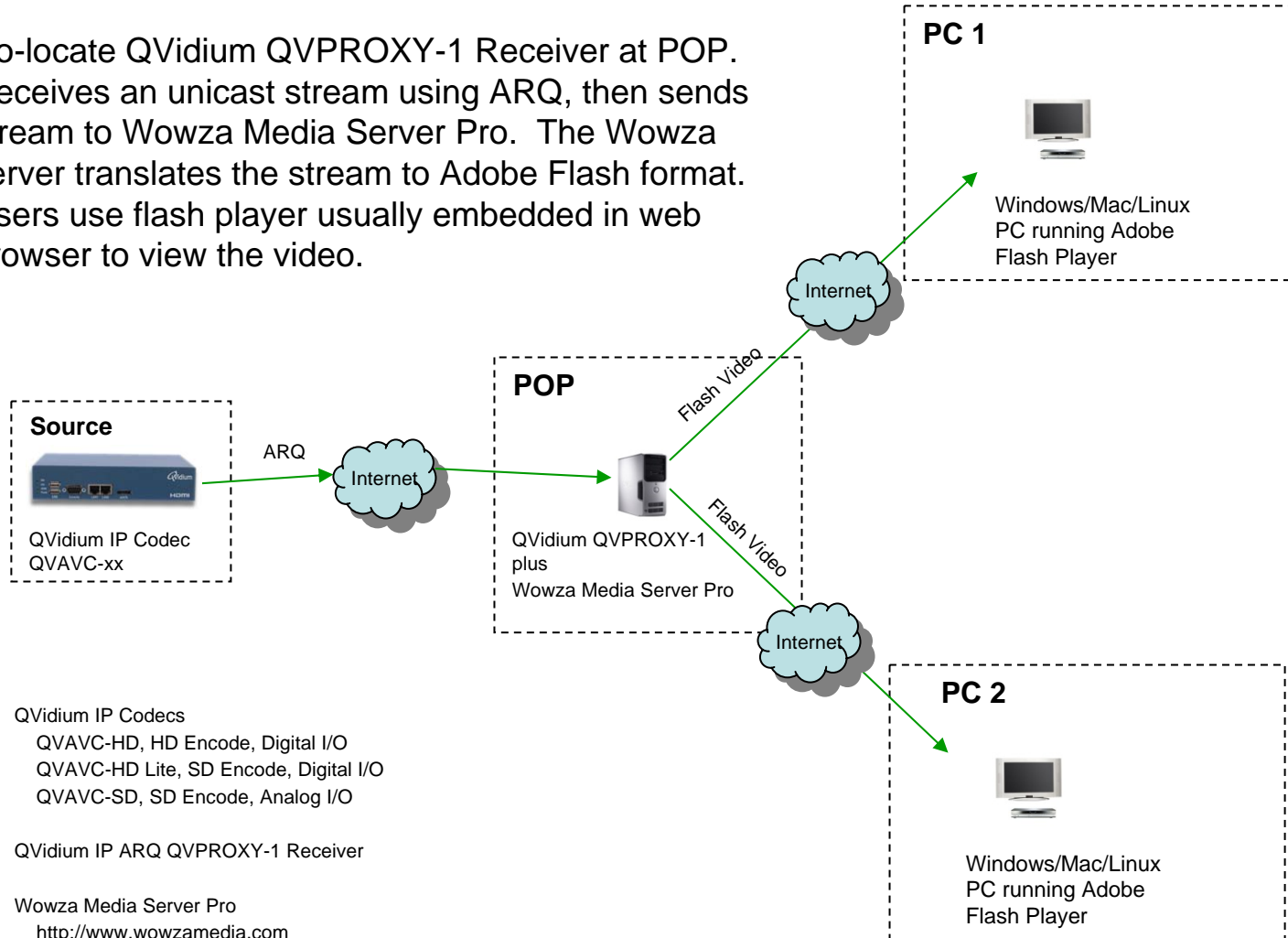
QVidium IP ARQ Rx Proxy

QVidium ARQ software license  
 Amino 130 STB

Amino 130 STB  
 see <http://www.amt.com/>

# QVidium Flash Media Example

Co-locate QVidium QVPROXY-1 Receiver at POP. Receives an unicast stream using ARQ, then sends stream to Wowza Media Server Pro. The Wowza server translates the stream to Adobe Flash format. Users use flash player usually embedded in web browser to view the video.



QVidium IP Codecs  
QVAVC-HD, HD Encode, Digital I/O  
QVAVC-HD Lite, SD Encode, Digital I/O  
QVAVC-SD, SD Encode, Analog I/O

QVidium IP ARQ QVPROXY-1 Receiver

Wowza Media Server Pro  
<http://www.wowzamedia.com>

# Video over IP Distribution Example

